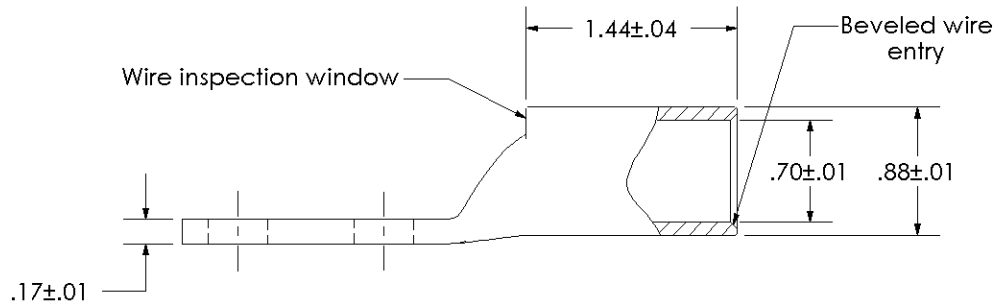
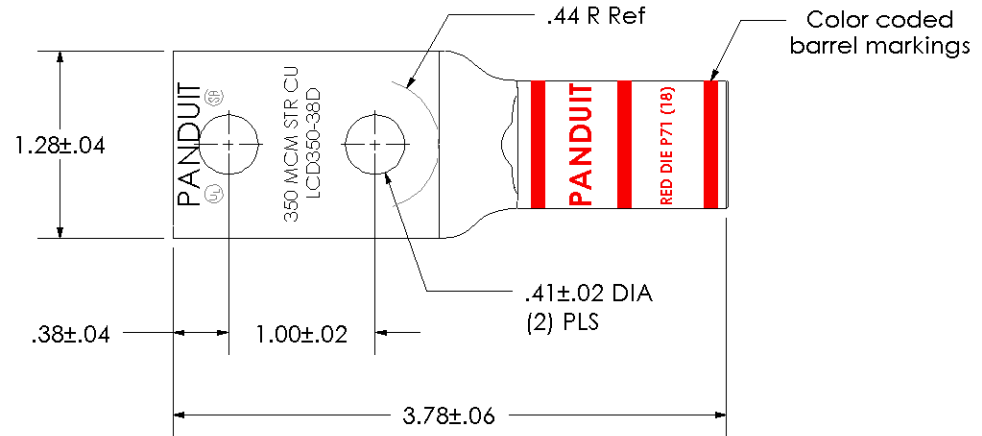


THIS COPY IS PROVIDED ON A RESTRICTED BASIS AND IS NOT TO BE USED IN ANY WAY DETRIMENTAL TO THE INTERESTS OF PANDUIT CORP.

| | |
|--|--|
| Material | High Conductivity Seamless Copper Tube |
| Plating | Electro-Tin |
| Wire Size | 350 kcmil |
| Wire Type | Stranded Copper; Class B: Compact, Compressed or Concentric, Class C: Concentric |
| Wire Strip Length | 1-1/2 in. |
| Stud Size | 3/8 in. |
| UL Listed Wire Connector | Yes, for applications up to 35kv. Consult cable manufacturer for voltage stress relief instructions with applications greater than 2000 volts. |
| UL Temperature Rating | 90° C |
| C.S.A Certified Wire Connector | Yes |
| Panduit Color Code on Barrel | RED |
| Panduit Die Index No. on Barrel | P71 |
| Alternate Industry Die Index No. () on Barrel | (18) |



| | | | | | |
|-----|-------|-----|-----|-------------|-------|
| 00 | 12/02 | SAB | DRL | RELEASED | 10343 |
| REV | DATE | BY | CHK | DESCRIPTION | ECN |

PANDUIT CORP. TINLEY PARK, ILLINOIS

LCD350-38D-X
Copper Lug - Two-Hole, Standard Barrel

SCALE N/A DRAWING NO / CAD FILE LCD350-38D-CUST